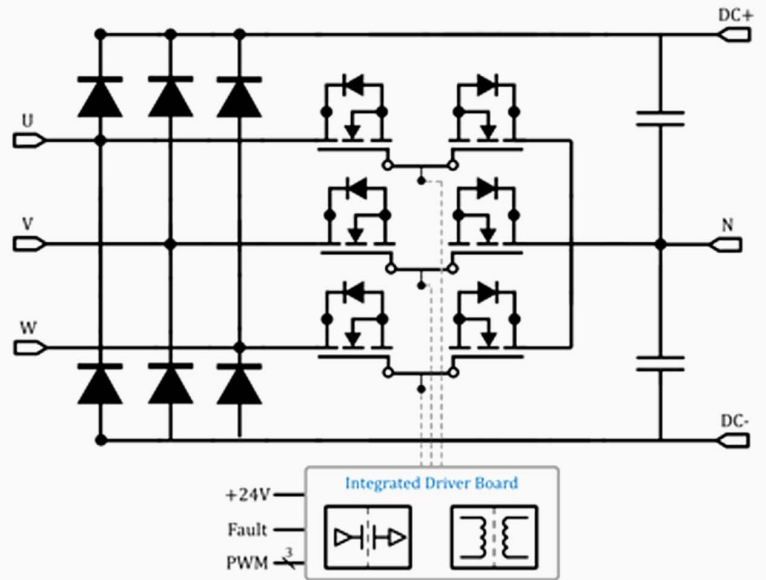
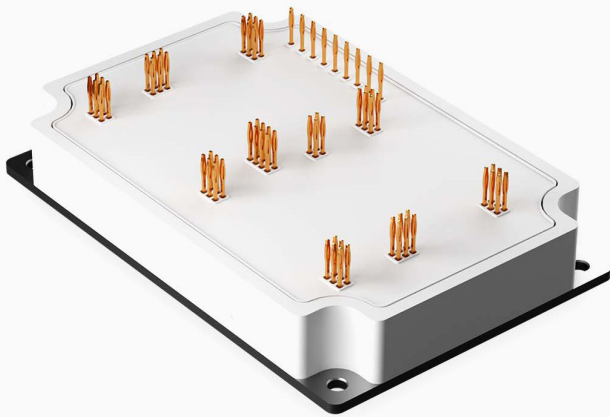


Vienna Rectifier



Specifications

Voltage rating: up to 550V 3 ϕ -RMS

Current rating: 50 Arms

Voltage bi-directional switches with two anti-series SiC devices

Enabling high switching frequency

Integrated gate driver

Broad experience in customized solutions for high power and High precision applications. Contact us

sales@prodrive-technologies.com